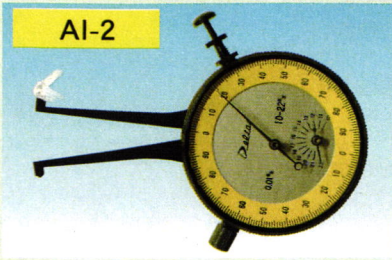
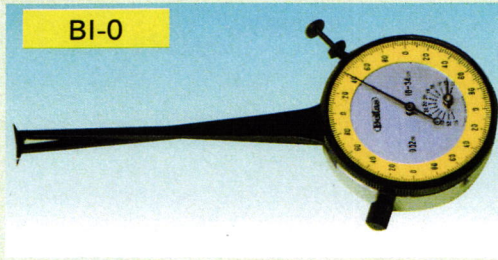


# DIAL CALIPER GAUGES

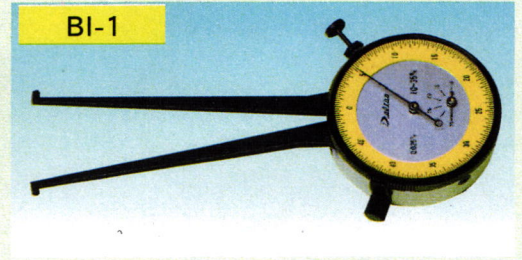
## (INTERNAL)



AI-2



BI-0



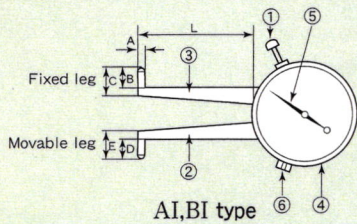
BI-1

### AI type

#### METRIC ONLY

Length of Legs: 40mm  
Graduations: 0.01mm

Cat. No.	Range mm	Effective Leg Length	Measuring Range	A	B	C	D	E
AI-0	3 - 9	15	3 - 5	2.3	1.1	2.8	1.1	2.8
		30	5 - 9					
AI-1	6 - 18	20	6 - 9	2.3	1.1	2.8	1.1	2.8
		40	9 - 18					
AI-2	10 - 22	20	10 - 16	2.3	2.7	4.5	2.3	4.8
		40	16 - 22					
AI-3	20 - 32	40		2.3	8	11	4.4	6.7
AI-4	30 - 42				18	21		
AI-5	40 - 52				28	31		
AI-6	50 - 62				9.5	12		
AI-7	60 - 72				19.5	22		
AI-8	70 - 82				9.5	12		
AI-9	80 - 92				19.5	22		
AI-10	90 - 102				29.5	32.5		



### BI-0 type

#### METRIC ONLY

Length of Legs: 80mm  
Graduations: 0.02mm

Cat. No.	Range mm	Effective Leg Length	Measuring Range	A	B	C	D	E
BI-0	10 - 34	60	10 - 20	2/1	7	9	7	9
		80	20 - 34					
BI-1	10 - 35	40	10 - 20	2.3	2.6	4.6	2.6	4.6
		80	20 - 35					
		80	20 - 35					
BI-2	20 - 45	80		2.3	5	7	8.6	10.6
BI-3	30 - 55				7.5	10		
BI-4	40 - 65				17.5	20		
BI-5	50 - 75				27.5	30		
BI-6	60 - 85				17	19.5		
BI-7	70 - 95				27	29.5		
BI-8	80 - 105				37	39.5		
BI-9	90 - 115				26.5	29		
BI-10	100 - 125				36.5	39		

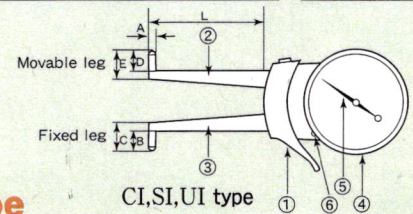
### BI type

#### METRIC OR INCH

Length of Legs: 80mm  
Graduations: 0.025mm or 0.001"

Cat. No.	Range mm	Effective Leg Length	Measuring Range	A	B	C	D	E	Cat. No.	Range inch
BI-1E	0.375 - 1.375								BI-1E	0.375 - 1.375
BI-2E	0.750 - 1.750								BI-2E	0.750 - 1.750
BI-3E	1.125 - 2.125								BI-3E	1.125 - 2.125
BI-4E	1.500 - 2.500								BI-4E	1.500 - 2.500
BI-5E	1.875 - 2.875								BI-5E	1.875 - 2.875
BI-6E	2.250 - 3.250								BI-6E	2.250 - 3.250
BI-7E	2.625 - 3.625								BI-7E	2.625 - 3.625
BI-8E	3.000 - 4.000								BI-8E	3.000 - 4.000
BI-9E	3.375 - 4.375								BI-9E	3.375 - 4.375
BI-10E	3.750 - 4.750								BI-10E	3.750 - 4.750

- ① Push handle
- ② Movable leg
- ③ Fixed leg
- ④ Bezel
- ⑤ Long needle
- ⑥ Stopper



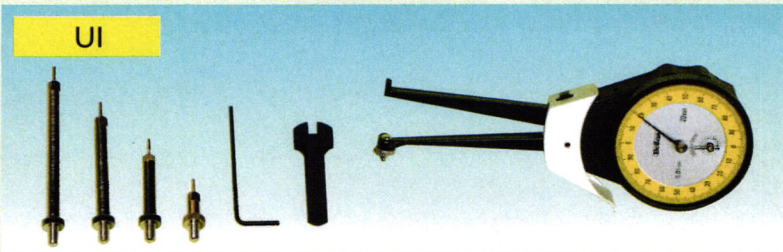
### UI type

#### METRIC OR INCH

Length of Legs: 63mm  
Graduations: 0.01mm or 0.0005"  
Dial Face  $\phi$  50mm  
Complete set 20-100mm or 0.8-4.0"  
with 5 interchangeable arms

#### UI Type Interchangeable Arms

Cat. No.	Range mm	Range Inch
UI-1	20 - 40	0.800 - 1.600
UI-2	35 - 55	1.375 - 2.175
UI-3	50 - 70	2.000 - 2.800
UI-4	65 - 85	2.500 - 3.250
UI-5	80 - 100	3.200 - 4.000



UI

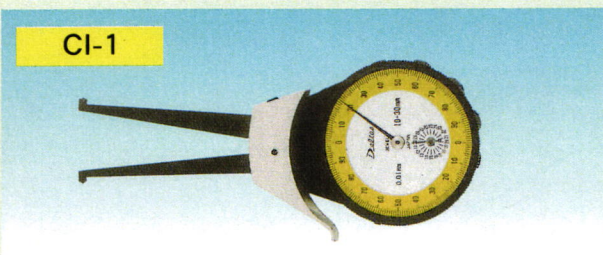
### CI type

#### METRIC OR INCH

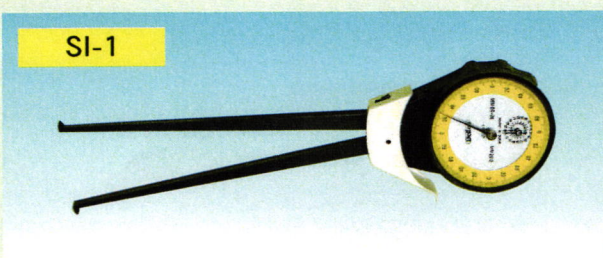
Length of Legs: 64mm  
Graduations: 0.01mm or 0.0005"

Cat. No.	Range mm	Effective Leg Length	Measuring Range	A	B	C	D	E
CI-0	5 - 15	20	5 - 9	2/1	2.2	4.5	2.2	4.5
		50	9 - 15					
CI-1	10 - 30	30	10 - 15	2.3	2.2	4.5	2.2	4.5
		64	15 - 30					
CI-2	20 - 40	64		2.3	4.5	7	8.0	10.5
CI-3	30 - 50				14.5	17		
CI-4	40 - 60				24.5	27		
CI-5	50 - 70				11.5	14		
CI-6	60 - 80				21.5	24		
CI-7	70 - 90				31.5	34		
CI-8	80 - 100				10.5	13		
CI-9	90 - 110				20.5	23		
CI-10	100 - 120				30.5	33		

Cat. No.	Range inch
CI-0E	0.2-0.6
CI-1E	0.4-1.2
CI-2E	0.8-1.6
CI-3E	1.2-2.0
CI-4E	1.6-2.4
CI-5E	2.0-2.8
CI-6E	2.4-3.2
CI-7E	2.8-3.6
CI-8E	3.2-4.0
CI-9E	3.6-4.4
CI-10E	4.0-4.8



CI-1



SI-1

### SI type

#### METRIC OR INCH

Length of Legs: 128mm  
Graduations: 0.02mm or 0.001"

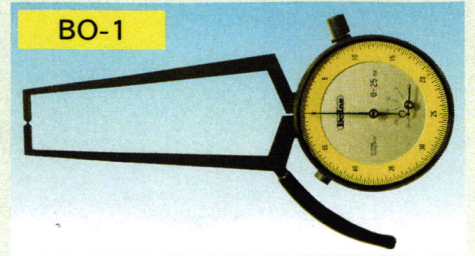
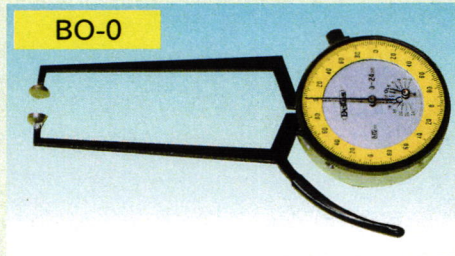
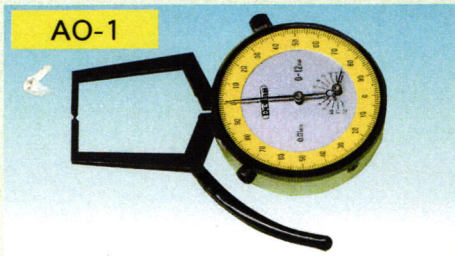
Cat. No.	Range mm	Effective Leg Length	Measuring Range	A	B	C	D	E
SI-1	10 - 50	60	10 - 30	2.3	2	4.8	2	4.8
		128	30 - 50					
SI-2	40 - 80	64		2.3	15	17	15	17
SI-3	70 - 110							

Cat. No.	Range inch
SI-1E	0.4-2.0
SI-2E	1.6-3.2
SI-3E	2.8-4.4



# DIAL CALIPER GAUGES

## (EXTERNAL)



**AO type**  
**METRIC ONLY**  
 Length of Legs: 40mm  
 Graduations: 0.01mm

Cat. No.	Range mm	A	B	C	D	E	F
AO- 1	0 - 12	2.3	11.5	14.5	11.5	14.5	27
AO- 2	10 - 22	2.3	18.5	20.5	11.5	14.5	49
AO- 3	20 - 32	2.3	8.5	10.5	11.5	14.5	49
AO- 4	30 - 42	2.3	18.5	20.5	11.5	14.5	70
AO- 5	40 - 52	2.3	8.5	10.5	11.5	14.5	70
AO- 6	50 - 62	2.3	18.5	20.5	11.5	14.5	91
AO- 7	60 - 72	2.3	8.5	10.5	11.5	14.5	91
AO- 8	70 - 82	2.3	28.5	30.5	11.5	14.5	122
AO- 9	80 - 92	2.3	18.5	20.5	11.5	14.5	122
AO-10	90 - 102	2.3	8.5	10.5	11.5	14.5	122

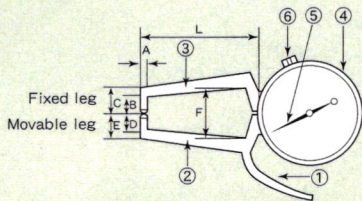
**BO type**  
**METRIC OR INCH**  
 Length of Legs: 80mm  
 Graduations: 0.025mm or 0.001"

Cat. No.	Range mm	A	B	C	D	E	F
BO- 1	0 - 25	2.3	8.5	10.5	8.5	10.5	27.5
BO- 2	10 - 35	2.3	8.5	10.5	8.5	10.5	46.5
BO- 3	20 - 45	2.3	8.5	10.5	8.5	10.5	55.5
BO- 4	30 - 55	2.3	8.5	10.5	8.5	10.5	65.5
BO- 5	40 - 65	2.3	8.5	10.5	8.5	10.5	75.5
BO- 6	50 - 75	2.3	18.5	21.5	8.5	10.5	94.5
BO- 7	60 - 85	2.3	8.5	11.5	8.5	10.5	84.5
BO- 8	70 - 95	2.3	28.5	31.5	8.5	10.5	127.5
BO- 9	80 - 105	2.3	18.5	21.5	8.5	10.5	127.5
BO-10	90 - 115	2.3	8.5	11.5	8.5	10.5	127.5

Cat. No.	Range Inch
BO- 1E	0-1
BO- 2E	0.375-1.375
BO- 3E	0.750-1.750
BO- 4E	1.125-2.125
BO- 5E	1.500-2.500
BO- 6E	1.875-2.875
BO- 7E	2.250-3.250
BO- 8E	2.875-3.875
BO- 9E	3.250-4.250
BO-10E	3.625-4.625

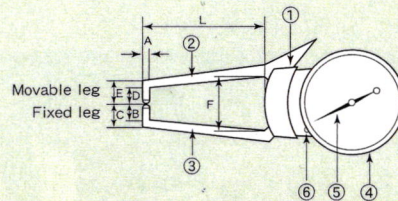
**BO-0 type**  
**METRIC ONLY**  
 Length of Legs: 80mm  
 Graduations: 0.02mm

Cat. No.	Range mm	A	B	C	D	E	F
BO- 0	0 - 24	2.5/7	9	10	9	10	27

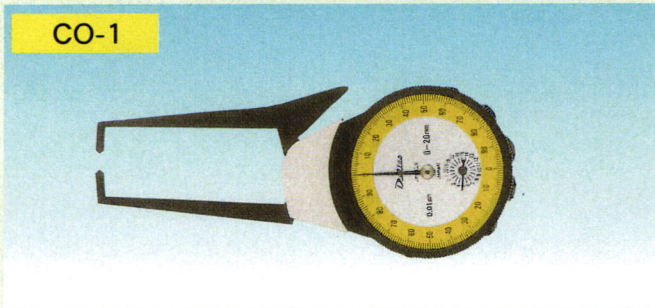


AO,BO type

- ① Push handle
- ② Movable leg
- ③ Fixed leg
- ④ Bezel
- ⑤ Long needle
- ⑥ Stopper



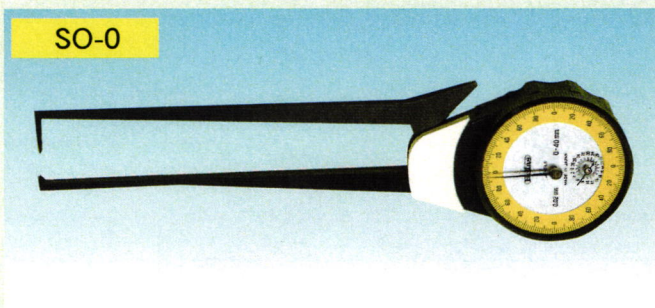
CO,SO type



**CO type**  
**METRIC OR INCH**  
 Length of Legs: 64mm  
 Graduations: 0.01mm or 0.0005"

Cat. No.	Range mm	A	B	C	D	E	F
CO- 1	0 - 20	2.3	8.5	11	8.5	12	23.5
CO- 2	10 - 30	2.3	18.5	21	8.5	12	52.5
CO- 3	20 - 40	2.3	8.5	11	8.5	12	52.5
CO- 4	30 - 50	2.3	18.5	21	8.5	12	75.5
CO- 5	40 - 60	2.3	8.5	11	8.5	12	75.5
CO- 6	50 - 70	2.3	18.5	21	8.5	12	95.5
CO- 7	60 - 80	2.3	8.5	11	8.5	12	125.5
CO- 8	70 - 90	2.3	28.5	31	8.5	12	125.5
CO- 9	80 - 100	2.3	18.5	21	8.5	12	125.5
CO-10	90 - 110	2.3	8.5	11	8.5	12	125.5

Cat. No.	Range Inch
CO- 1E	0-0.8
CO- 2E	0.4-1.2
CO- 3E	0.8-1.6
CO- 4E	1.2-2.0
CO- 5E	1.6-2.4
CO- 6E	2.0-2.8
CO- 7E	2.4-3.2
CO- 8E	2.8-3.6
CO- 9E	3.2-4.0
CO-10E	3.6-4.4



**SO type**  
**METRIC OR INCH**  
 Length of Legs: 128mm  
 Graduations: 0.02mm or 0.001"

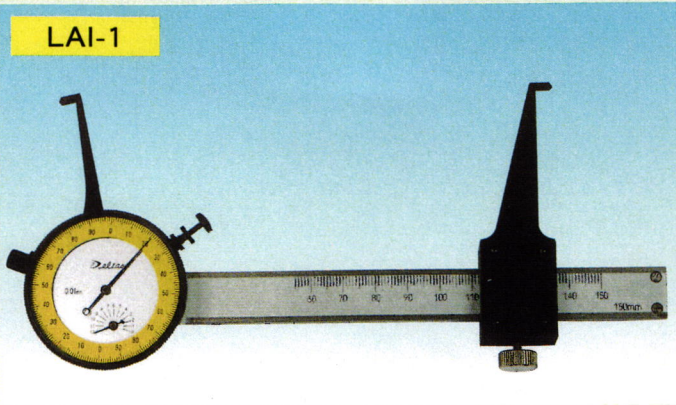
Cat. No.	Range mm	A	B	C	D	E	F
SO- 0	0 - 40	2/1	2	5	11	15	15
SO- 1	0 - 40						20
SO- 2	40 - 80	2.3	11	15	11	15	80
SO- 3	70 - 110						110

Cat. No.	Range Inch
SO- 0E	0-1.6
SO- 1E	0-1.6
SO- 2E	1.6-3.2
SO- 3E	2.8-4.4



# DIAL CALIPER GAUGES (INTERNAL)

LAI-1



## LAI type

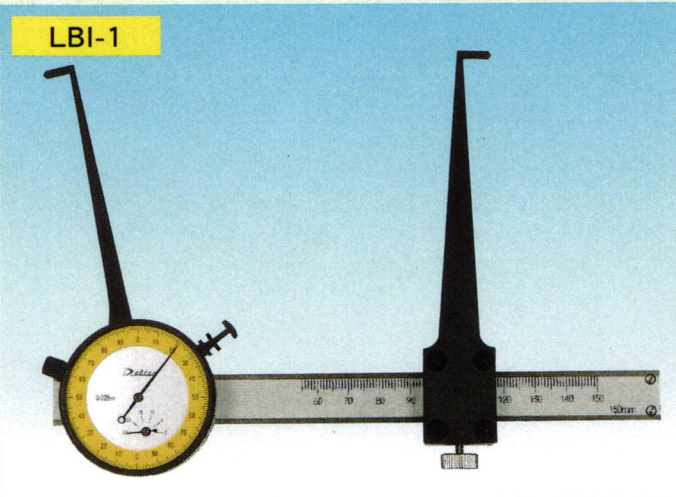
METRIC ONLY

Length of Legs: 40mm

Graduations: 0.01mm

Cat. No.	Range mm	A	B	C	D	E
LAI- 1	60 - 150	2.3	4.5	7	4.5	7
LAI- 2	60 - 200	2.3	4.5	7	4.5	7
LAI- 3	60 - 250	2.3	4.5	7	4.5	7
LAI- 4	60 - 300	2.3	4.5	7	4.5	7
LAI- 5	60 - 350	2.3	4.5	7	4.5	7
LAI- 6	60 - 400	2.3	4.5	7	4.5	7
LAI- 7	60 - 450	2.3	4.5	7	4.5	7
LAI- 8	60 - 500	2.3	4.5	7	4.5	7
LAI- 9	60 - 550	2.3	4.5	7	4.5	7
LAI-10	60 - 600	2.3	4.5	7	4.5	7

LBI-1



## LBI type

METRIC OR INCH

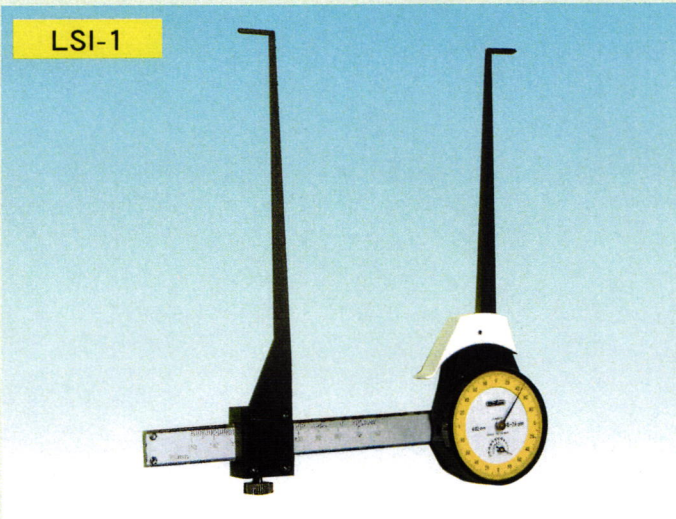
Length of Legs: 80mm

Graduations: 0.025mm or 0.001"

Cat. No.	Range mm	A	B	C	D	E
LBI- 1	60 - 150	2.3	8.5	11	8.5	10.6
LBI- 2	60 - 200	2.3	8.5	11	8.5	10.6
LBI- 3	60 - 250	2.3	8.5	11	8.5	10.6
LBI- 4	60 - 300	2.3	8.5	11	8.5	10.6
LBI- 5	60 - 350	2.3	8.5	11	8.5	10.6
LBI- 6	60 - 400	2.3	8.5	11	8.5	10.6
LBI- 7	60 - 450	2.3	8.5	11	8.5	10.6
LBI- 8	60 - 500	2.3	8.5	11	8.5	10.6
LBI- 9	60 - 550	2.3	8.5	11	8.5	10.6
LBI-10	60 - 600	2.3	8.5	11	8.5	10.6

Cat. No.	Range Inch
LBI- 1E	2.3- 6
LBI- 2E	2.3- 8
LBI- 3E	2.3-10
LBI- 4E	2.3-12
LBI- 5E	2.3-14
LBI- 6E	2.3-16
LBI- 7E	2.3-18
LBI- 8E	2.3-20
LBI- 9E	2.3-22
LBI-10E	2.3-24

LSI-1



## LSI type

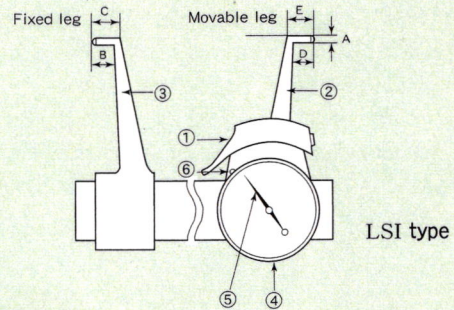
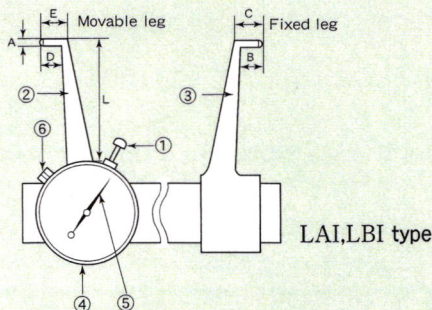
METRIC OR INCH

Length of Legs: 128mm

Graduations: 0.02mm or 0.001"

Cat. No.	Range mm	A	B	C	D	E
LSI- 1	60 - 150					
LSI- 2	60 - 200					
LSI- 4	60 - 300	2.3	12	15	12	15
LSI- 6	60 - 400					
LSI- 8	60 - 500					
LSI-10	60 - 600					

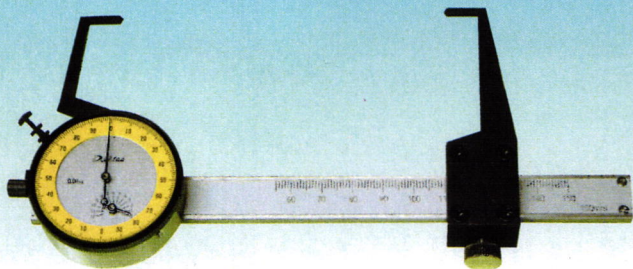
Cat. No.	Range Inch
LSI- 1E	2.3- 6
LSI- 2E	2.3- 8
LSI- 4E	2.3-12
LSI- 6E	2.3-16
LSI- 8E	2.3-20
LSI-10E	2.3-24





# DELTA CALIPER GAUGES (EXTERNAL)

LAO-1



## LAO type

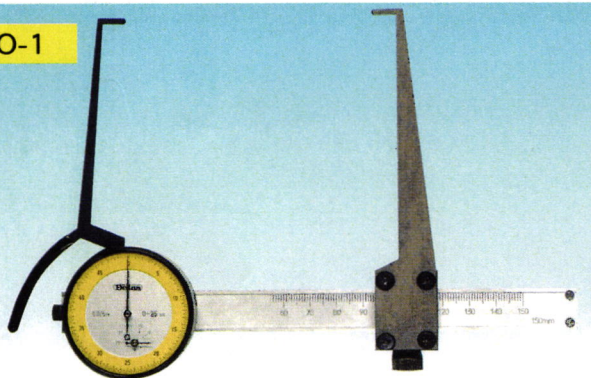
METRIC ONLY

Length of Legs: 40mm

Graduations: 0.01mm

Cat. No.	Range mm	A	B	C	D	E
LAO-1	30-150	2.3	11.5	14.5	11.5	14.5
LAO-2	30-200	2.3	11.5	14.5	11.5	14.5
LAO-4	30-300	2.3	11.5	14.5	11.5	14.5
LAO-6	30-400	2.3	11.5	14.5	11.5	14.5
LAO-8	30-500	2.3	11.5	14.5	11.5	14.5
LAO-10	30-600	2.3	11.5	14.5	11.5	14.5

LBO-1



## LBO type

METRIC OR INCH

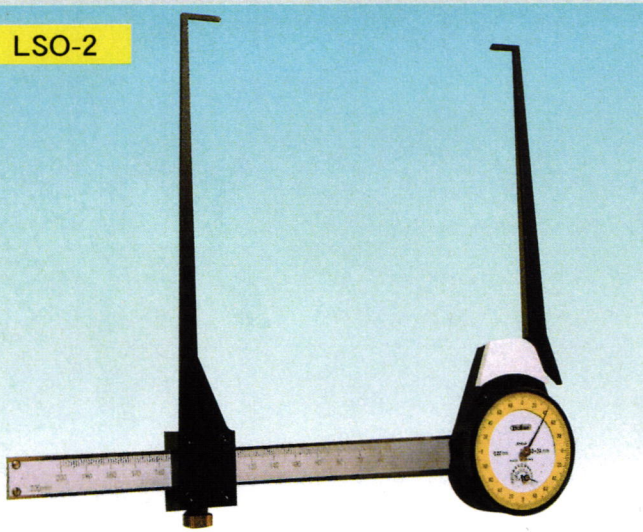
Length of Legs: 80mm

Graduations: 0.025mm or 0.001"

Cat. No.	Range mm	A	B	C	D	E
LBO-1	30-150	2.3	8.5	10.5	8.5	10.5
LBO-2	30-200	2.3	8.5	10.5	8.5	10.5
LBO-4	30-300	2.3	8.5	10.5	8.5	10.5
LBO-6	30-400	2.3	8.5	10.5	8.5	10.5
LBO-8	30-500	2.3	8.5	10.5	8.5	10.5
LBO-10	30-600	2.3	8.5	10.5	8.5	10.5

Cat. No.	Range Inch
LBO-1E	1.2- 6
LBO-2E	1.2- 8
LBO-4E	1.2-12
LBO-6E	1.2-16
LBO-8E	1.2-20
LBO-10E	1.2-24

LSO-2



## LSO type

METRIC OR INCH

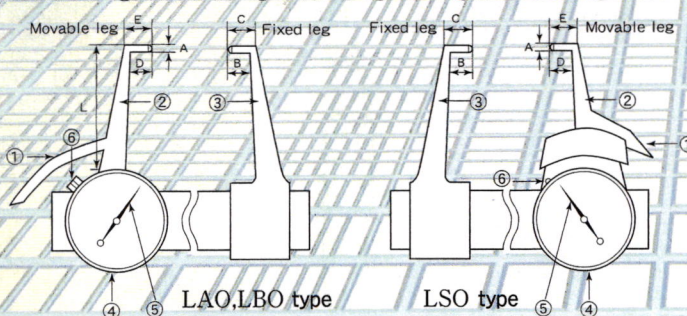
Length of Legs: 128mm

Graduations: 0.02mm or 0.001"

Cat. No.	Range mm	A	B	C	D	E
LSO-1	60-150	2.3	12	15	12	15
LSO-2	60-200	2.3	12	15	12	15
LSO-4	60-300	2.3	12	15	12	15
LSO-6	60-400	2.3	12	15	12	15
LSO-8	60-500	2.3	12	15	12	15
LSO-10	60-600	2.3	12	15	12	15

Cat. No.	Range Inch
LSO-1E	2.3- 6
LSO-2E	2.3- 8
LSO-4E	2.3-12
LSO-6E	2.3-16
LSO-8E	2.3-20
LSO-10E	2.3-24

① Push handle ② Movable leg ③ Fixed leg ④ Bezel ⑤ Long needle ⑥ Stopper



- Quick measuring by one-touch lever
- Internal: For Deep hole, Groove, width measurement
- External: For Groove diameter, Transformation goods diameter
- Handy. Short cycle time for easy checking
- Shock proof. with dial stopper
- Contact points with steel  $\phi$  1.6mm balls
- Gauge can be supplied in according with ISO certificates and traceability out line by options
- Gauge can be supplied special form anvils
- Changes without prior notice

Manufactured by **Deltas**  
EHIME PRECISION CO.,LTD